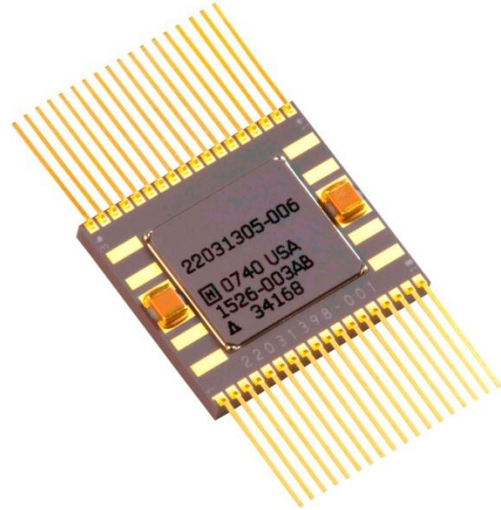


HXS6408

512k x 8 STATIC RAM

The monolithic 512k x 8 Radiation Hardened Static RAM is a high performance 524,288 word x 8-bit static random access memory, fabricated with Honeywell's 150nm silicon-on-insulator CMOS (S150) technology. It is designed for use in low voltage systems operating in radiation environments. The SRAM operates over the full military temperature range and supports I/O supply voltages of 2.5V and 3.3V. For 2.5V operation the user must provide an external 1.8V power supply. For 3.3V operation the user can provide an external 1.8V power supply or use the internal voltage regulator which operates off the I/O supply.



Honeywell's S150 technology is radiation hardened through the use of advanced and proprietary design, layout and process hardening techniques. There is no internal ECC implemented.

It is a low power process with a minimum drawn feature size of 150nm. This delivers high speed typical READ cycle time of 12ns, WRITE cycle time of 7ns and low power consumption of 80mW at 40MHz.

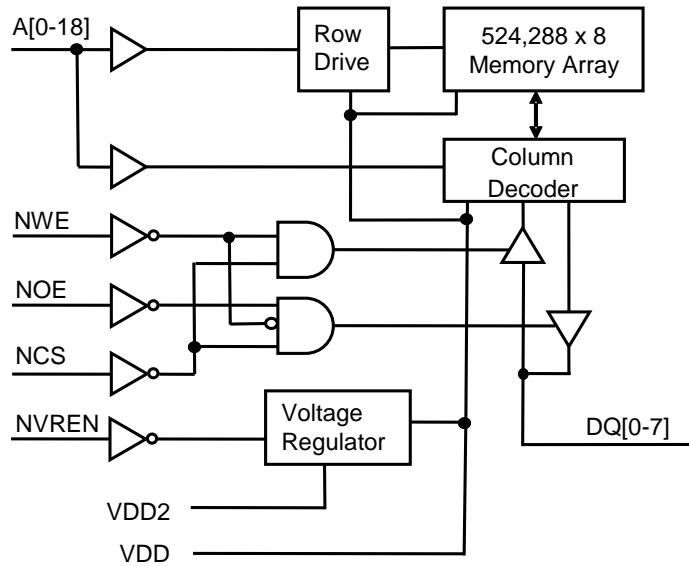
The memory cell is single event upset hardened, while four layer metal power busing and small collection volumes of SOI provides superior single event effect and dose rate hardening.

FEATURES

- Fabricated on S150 Silicon On Insulator (SOI) CMOS
- 150nm Process ($L_{eff} = 110\text{nm}$)
- High Speed
 - 7ns Typical Write Cycle
 - 12ns Typical Read Cycle
- Asynchronous Operation
- CMOS Compatible I/O
- Total Dose 1×10^6 rad(Si)
- Soft Error Rate
 - Heavy Ion 1×10^{-12} upsets/bit-day
 - Proton 2×10^{-12} upsets/bit-day
- Neutron Irradiation 1×10^{14} n/cm²
- Dose Rate Upset 1×10^{10} rad(Si)/s
- Dose Rate Survivability 1×10^{12} rad(Si)/s
- Latchup Immune
- Core Operating Voltage
 - 1.8V or Internal Regulator
- I/O Voltages
 - 2.5V or 3.3V
- Operating Temperature Range
 - 55°C to +125°C
- 36-Lead Ceramic Flat Pack Package

HXS6408

SIMPLIFIED FUNCTIONAL BLOCK DIAGRAM



36 LEAD FLAT PACK PINOUT

HXS6408 Top View			
A0	1	36	NVREN
A1	2	35	A18
A2	3	34	A17
A3	4	33	A16
A4	5	32	A15
NCS	6	31	NOE
DQ0	7	30	DQ4
DQ1	8	29	DQ5
VDD2	9	28	VSS
VSS	10	27	VDD2
DQ2	11	26	DQ6
DQ3	12	25	DQ7
NWE	13	24	A14
A5	14	23	A13
A6	15	22	A12
A7	16	21	A11
A8	17	20	A10
A9	18	19	VDD*

* Do Not Connect if NVREN = 0 (Low)

PIN NAME DEFINITIONS

Pin Name	Definition
A[0-18]	Address input pins. Selects a particular eight bit word within the memory array.
DQ[0-7]	Bi-directional data I/O pins. Data outputs (Q) during a read operation. Data inputs (D) during a write operation.
NCS	Negative chip select. Low allows normal read or write operation. High puts the SRAM into a deselected condition and holds the data output drivers in a high impedance (High-Z) state. If not used, it must be connected to VSS.
NWE	Negative write enable. Low activates a write operation and holds the data output drivers in a high impedance (High-Z) state. High allows normal read operation.
NOE	Negative output enable. High holds the data output drivers in a high impedance (High-Z) state. Low the data output driver state is defined by NCS and NWE. If not used, it must be connected to VSS.
NVREN	Negative voltage regulator enable. High disables the voltage regulator and the SRAM core operates directly from the supply on the VDD pin. Low enables the voltage regulator and provides the VDD supply from the VDD2 supply. It has an internal pull-down, so if not driven it will pull itself low and the voltage regulator will be enabled.
VDD	Power input. Supplies power for the SRAM core when the voltage regulator is disabled. This pin is a DNC (Do Not Connect) when the voltage regulator is enabled.
VDD2	Power input. Supplies power for the I/O. Also supplies power for the SRAM core through the voltage regulator when it is enabled.
VSS	Ground

HXS6408

TRUTH TABLE

NCS	NVREN	NWE	NOE	VOLTAGE REGULATOR	MODE	DQ MODE
L	L	H	L	Enabled	Read	Data Out
L	L	L	X	Enabled	Write	Data In
L	L	H	H	Enabled	Read Standby	High-Z
X	L	X	H	Enabled	Output Disabled	High-Z
H	L	X	X	Enabled	Deselected	High-Z
L	H	H	L	Disabled	Read	Data Out
L	H	L	X	Disabled	Write	Data In
L	H	H	H	Disabled	Read Standby	High-Z
X	H	X	H	Disabled	Output Disabled	High-Z
H	H	X	X	Disabled	Deselected	High-Z

ABSOLUTE MAXIMUM RATINGS (1)

Symbol	Parameter	Ratings		Unit
		Min	Max	
VDD2	Positive Supply Voltage (I/O) Referenced to VSS	-0.5	4.4	V
VDD	Positive Supply Voltage (core) Referenced to VSS	-0.5	2.4	V
VIO	Voltage on Any Input or Output Pin Referenced to VSS	-0.5	VDD2 + 0.5	V
IOUT	Average Output Current		15	mA
TSTORE	Storage Temperature	-65	150	°C
TSOLDER (2)	Soldering Temperature		270	°C
PD (3)	Package Power Dissipation		0.7	W
PJC	Package Thermal Resistance (Junction to Case)		2.0	°C/W
VPROT	Electrostatic Discharge Protection Voltage (Human Body Model)	2000		V
TJ	Junction Temperature		175	°C

(1) Stresses in excess of those listed above may result in immediate permanent damage to the device. These are stress ratings only and operation at these levels is not implied. Frequent or extended exposure to absolute maximum conditions may affect device reliability.

(2) Maximum soldering temperature can be maintained for no more than 5 seconds.

(3) IDDSB power + IDDOP power + Output driver power due to external loading must not exceed this specification.

RECOMMENDED OPERATING CONDITIONS (1)

Symbol	Parameter	Limits			Unit
		Min	Typ	Max	
VDD2 (2)	Positive Supply Voltage (3.3V I/O) Referenced to VSS	3.0	3.3	3.6	V
	Positive Supply Voltage (2.5V I/O) Referenced to VSS(5)	2.3	2.5	2.7	V
VDD (2)(3)	Positive Supply Voltage (core) Referenced to VSS	1.65	1.80	1.95	V
TC	Case Temperature	-55	25	125	°C
VIO	Voltage on Any Input or Output Pin Referenced to VSS	-0.3		VDD2 + 0.3	V
TRAMP	VDD and VDD2 Power Supply Ramp Rate			1	s
TREG (4)	Voltage Regulator Settling Time after VDD2 power up			100	us

(1) Specifications listed in datasheet apply when operated under the Recommended Operating Conditions unless otherwise specified.

(2) Power Sequencing: When the voltage regulator is disabled, VDD2 must always be $\geq(VDD - 0.3V)$ during both power up and power down.

(3) The VDD supply is generated internally by the voltage regulator when NVREN is low or can be driven externally.

VDD (Pin 19) is required to be a DNC (Do Not Connect) when NVREN is low or left undriven (NVREN has an internal pull-down).

(4) Guaranteed, but not tested.

(5) Voltage Regulator must be disabled and VDD must be driven externally.

HXS6408

POWER SUPPLY FUNCTIONAL CONFIGURATIONS

Core Power Source

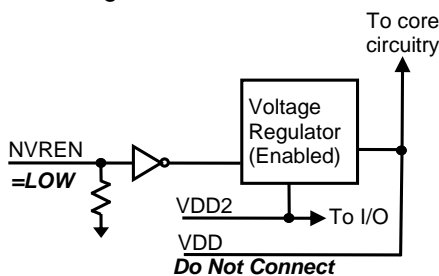
The SRAM core supply is VDD and it can be powered by two methods. The power can be supplied directly to the VDD pin or the internal voltage regulator can be used to power the VDD pin. If the user elects to operate with both VDD2 and VDD power supplies, the voltage regulator must be disabled. If the user elects to operate with only the VDD2 power supply, the voltage regulator must be enabled and it will use the VDD2 power supply to generate the core supply. The internal voltage regulator operation is controlled by NVREN.

The voltage regulator is not intended to power other devices in addition to the SRAM. The SRAM is qualified to operate in either voltage regulator enabled or voltage regulator disabled mode but not switch between modes through the life of the part.

VDD2 Only Power Source

NVREN = 0 (Low)
Voltage Regulator is Enabled
VDD2 pin = 3.3V Supply
VDD pin = Do Not Connect

When pin NVREN is low, the SRAM must be powered only by VDD2. The VDD pin (pin 19) must be left open (Do Not Connect). The power for the SRAM is supplied only to the VDD2 pins (pins 9 and 27). The I/O voltage is defined by the VDD2 voltage. **When this mode is used, the part is a pin for pin replacement for the HX6408 SRAM.** Note there is an internal pull-down on pin NVREN (see II_NVREN) as shown in the diagram below.



Two external 0.1uF chip capacitors are mounted on the package body between VDD and VSS for additional core power supply energy storage and support high speed supply current demands.

The internal voltage regulator has a start up settling time (TREG) after VDD2 reaches the recommended operating level.

Power Sequencing

When the voltage regulator is disabled, VDD2 must always be $\geq(VDD - 0.3V)$ during both power up and power down.

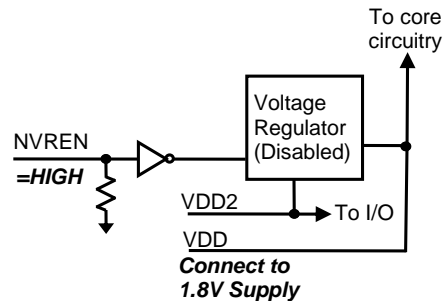
Power

The total SRAM power is the sum of the power from the standby current (IDDSB), the power from the dynamic current (IDDOPx) and the power from the output driver current driving the output load.

VDD2 and VDD Power Source

NVREN = 1 (High)
Voltage Regulator is Disabled
VDD2 pin = 2.5V or 3.3V Supply
VDD pin = 1.8V Supply

When pin NVREN is high, the SRAM must be powered by both VDD2 and VDD. 1.8V must be supplied to the VDD pin (Pin 19). Supplying power to the VDD2 pins (pins 9 and 27) is still required and may be 2.5V or 3.3V. The I/O voltage is defined by the VDD2 voltage. Note there is an internal pull-down on pin NVREN (see II_NVREN) as shown in the diagram below.



HXS6408

RADIATION HARDNESS RATINGS (1)

Symbol	Parameter	Environment Conditions	Limits	Unit
TID	Total Ionizing Dose		1x10 ⁶	rad(Si)
DRU	Transient Dose Rate Upset	Pulse width ≤20ns	1x10 ¹⁰	rad(Si)/s
DRS	Transient Dose Rate Survivability	Pulse width ≤20ns	1x10 ¹²	rad(Si)/s
SER (2)	Projected Soft Error Rate	Geosynchronous orbit during solar minimum non-flare conditions behind 100mil Aluminum shield	1x10 ⁻¹² 2x10 ⁻¹²	upsets/bit-day upsets/bit-day
	Neutron Irradiation Damage	1 MeV equivalent energy	1x10 ¹⁴	n/cm ²

(1) Device will not latchup when exposed to any of the specified radiation environments.

(2) Calculated using CREME96.

RADIATION CHARACTERISTICS

Total Ionizing Dose Radiation

The S150 SRAM radiation hardness assurance TID level was qualified by ⁶⁰Co testing, including overdose and accelerated annealing, per MIL-STD-883 Method 1019. Ongoing assurance is provided by wafer level X-ray testing during manufacturing.

Single Event Soft Error Rate

Special process, memory cell, circuit and layout design considerations are included in the SRAM to minimize the impact of heavy ion and proton radiation and achieve small projected SER. These techniques sufficiently harden the SRAM such that cell redundancy and scrubbing are not required to achieve the projected SER.

Transient Dose Rate Ionizing Radiation

Many aspects of product design are addressed to handle the high energy levels associated with the transient dose rate events. This allows the SRAM to be capable of writing, reading, and retaining stored

data during and after exposure to a transient dose rate ionizing radiation pulse, up to the DRU specification. The SRAM will also meet functional and timing specifications after exposure to a transient dose rate ionizing radiation pulse up to the DRS specification.

Neutron Irradiation Damage

SOI CMOS is inherently tolerant to damage from neutron irradiation. The SRAM meets functional and timing specifications after exposure to the specified neutron fluence.

Latchup

The SRAM will not latchup when exposed to any of the above radiation environments when applied under recommended operating conditions. SOI CMOS provides oxide isolation between adjacent PMOS and NMOS transistors and eliminates any potential SCR latchup structures.

PIN CAPACITANCE (1)

Symbol	Parameter	Max	Unit
CA	Address Pin Capacitance	7	pF
CNOE	NOE Pin Capacitance	17	pF
CNWE	NWE Pin Capacitance	17	pF
CNCS	NCS Pin Capacitance	20	pF
CDQ	Data I/O Pin Capacitance	7	pF

(1) Maximum capacitance is verified as part of initial qualification only.

POWER PIN ELECTRICAL CHARACTERISTICS

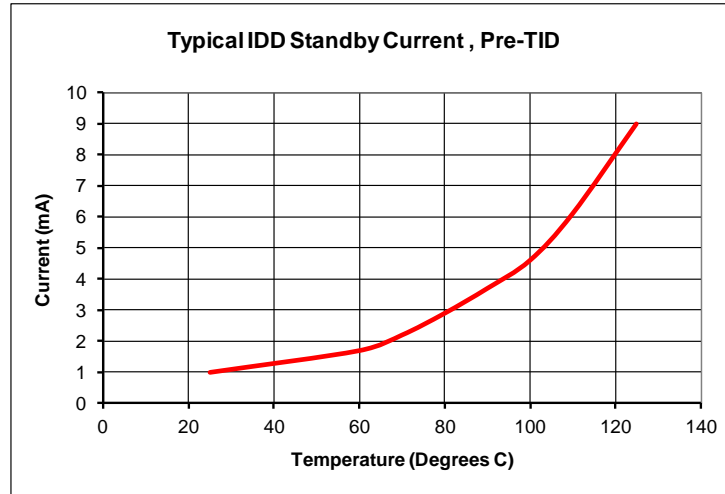
Symbol	Parameter	Conditions	Max				Unit	
			Voltage Regulator Disabled		Voltage Regulator Enabled			
			VDD	VDD2	VDD	VDD2		
IDDSB (1)	Static Supply Current	VIH = VDD2, VIL = VSS, DQ = High-Z	TA=25°C, pre-TID	2	0.2	NA	2	mA
				12	0.2	NA	12	mA
IDDOPW (2)(3)	Dynamic Supply Current Selected, Write	VIH = VDD2, VIL = VSS, DQ = High-Z	1MHz	1.25	0.15	NA	1.25	mA
			2MHz	2.5	0.3	NA	2.5	mA
			10MHz	10	1.5	NA	10	mA
			25MHz	25	3.8	NA	25	mA
			40MHz	40	6.0	NA	40	mA
			50MHz	50	7.5	NA	50	mA
IDDOPR (2)(3)	Dynamic Supply Current Selected, Read	VIH = VDD2, VIL = VSS, DQ = High-Z	1MHz	0.75	0.125	NA	0.75	mA
			2MHz	1.5	0.25	NA	1.5	mA
			10MHz	6.0	1.25	NA	6.0	mA
			25MHz	15	3.13	NA	15	mA
			40MHz	24	5.0	NA	24	mA
			50MHz	30	6.25	NA	30	mA
IDDOPD (2)(3)	Dynamic Supply Current Deselected	VIH = VDD2, VIL = VSS, DQ = High-Z	1 MHz	0.1	0.1	NA	0.1	mA
			40MHz	1	4	NA	5	mA
IDRRD	Data Retention Supply Current, Voltage Regulator Disabled	VDD = 1V, VDD2 = 2V	TA=25°C, pre-TID	1	1	NA	NA	mA
				10	1	NA	NA	mA
IDRRE (4)	Data Retention Supply Current, Voltage Regulator Enabled	VDD2 = 2V	TA=25°C, pre-TID	NA	NA	NA	2	mA
				NA	NA	NA	11	mA

- (1) See figure " Typical IDD Standby Current, Pre-TID" for typical pre-TID current values. This is provided for information only.
- (2) All inputs switching. DC average current.
- (3) All dynamic operating mode current measurements (IDDOPx) exclude standby mode current (IDDSB).
- (4) Guaranteed, but not tested.

SIGNAL PIN ELECTRICAL CHARACTERISTICS (1)

Symbol	Parameter	Conditions	Min	Max	Unit
IIN (2)	Input Leakage Current	VSS ≤ VIN ≤ VDD2	-5	5	uA
IIH_NVREN	NVREN Input Pull-Down Current	NVREN = VDD2	200	700	uA
IOZ	Output Leakage Current	DQ = High-Z	-10	10	uA
VIL	Low-Level Input Voltage			0.3 x VDD2	V
VIH	High-Level Input Voltage		0.7 x VDD2		V
VOL1	Low-Level Output Voltage for 3.3V I/O	IOL = 10mA		0.4	V
VOH1	High-Level Output Voltage for 3.3V I/O	IOH = -5mA	2.7		V
VOL2 (3)	Low-Level Output Voltage for 2.5V I/O	IOL = 10mA		0.4	V
VOH2 (3)	High-Level Output Voltage for 2.5V I/O	IOH = -5mA	2.0		V

- (1) Voltages referenced to VSS.
- (2) Excluding the NVREN pin.
- (3) Guaranteed, but not tested.



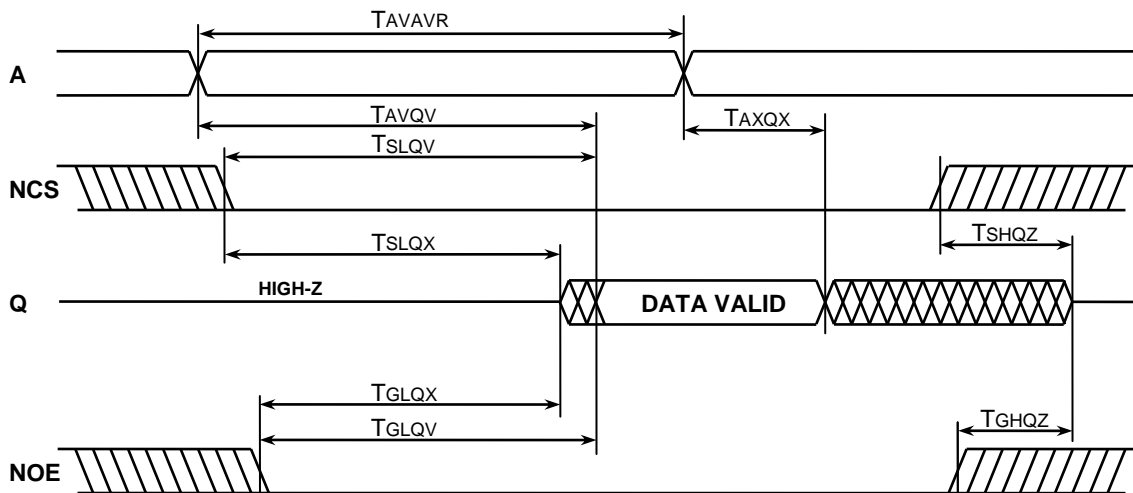
READ CYCLE AC TIMING CHARACTERISTICS (1)(2)

Symbol	Parameter	Limits 2.5V I/O		Limits 3.3V I/O		Unit
		Min	Max	Min	Max	
TAVAVR	Read Cycle Time	16.5		15		ns
TAVQV	Address Valid to Output Valid Access Time		16.5		15	ns
TAXQX	Address Change to Output Invalid Time	5		5		ns
TSLQV	Chip Select to Output Valid Access Time		16.5		15	ns
TSLQX	Chip Select to Output Low-Z Time	0		0		ns
TSHQZ	Chip Select to Output High-Z Time		2		2	ns
TGLQV	Output Enable to Output Valid Access Time		5		4	ns
TGLQX	Output Enable to Output Low-Z Time	0.5		0.5		ns
TGHQZ	Output Enable to Output High-Z Time		3		3	ns

(1) The AC timing specifications are referenced to the AC Timing Input and Output References diagram and the Reference Load Circuit diagram. IBIS models should be used to evaluate timing under application load circuits.

(2) NWE = High

READ CYCLE AC TIMING WAVEFORMS

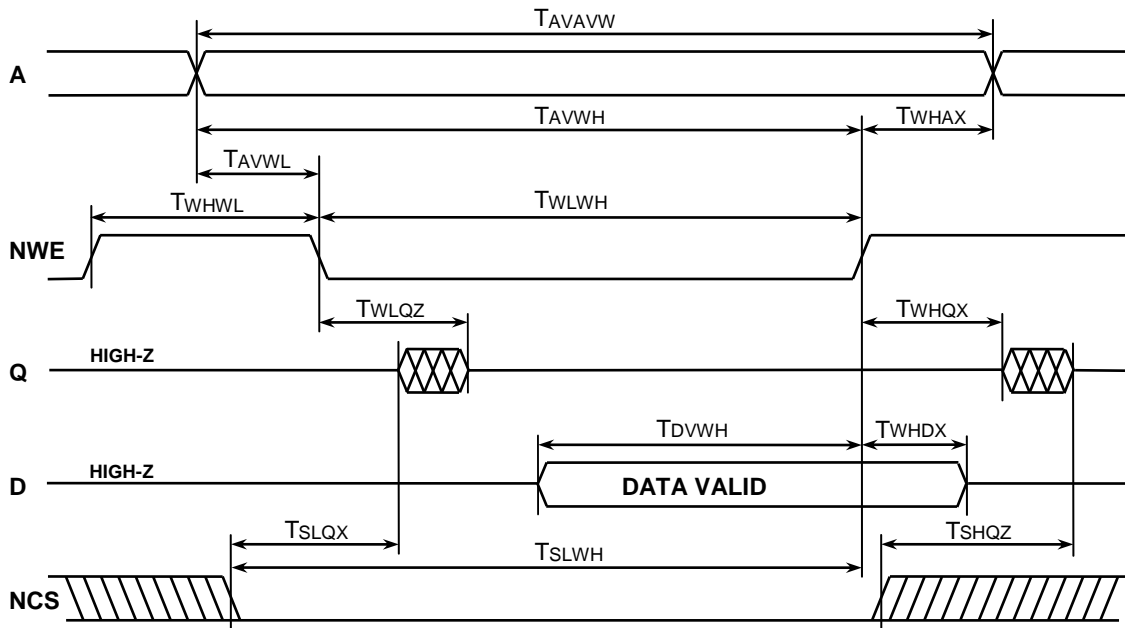


WRITE CYCLE AC TIMING CHARACTERISTICS (1)(2)(3)

Symbol	Parameter	Limits 2.5V I/O		Limits 3.3V I/O		Unit
		Min	Max	Min	Max	
TAVAVW	Write Cycle Time	10		10		ns
TWLWH	Start of Write to End of Write Pulse Width	6		6		ns
TSLWH	Chip Select to End of Write Time	7		7		ns
TDVWH	Data Input Valid to End of Write Time	5		5		ns
TAVWH	Address Valid to End of Write Time	7		7		ns
TWHDX	Data Input Hold after End of Write Time	0		0		ns
TAVWL	Address Valid Setup to Start of Write Time	0		0		ns
TWHAX	Address Valid Hold after End of Write Time	0		0		ns
TWLQZ	Start of Write to Output High-Z Time		2.5		2	ns
TWHQX	End of Write to Output Low-Z Time	1		1		ns
TWHWL	End of Write to Start of Write Pulse Width	4		4		ns

- (1) The AC timing specifications are referenced to the AC Timing Input and Output References diagram and the Reference Load Circuit diagram. IBIS models should be used to evaluate timing under application load circuits.
- (2) For an NWE controlled write, NCS must be Low when NWE is Low.
- (3) Can use NOE = High to hold Q in a High-Z state when NWE = High and NCS = Low.

WRITE CYCLE AC TIMING WAVEFORMS



HXS6408

FUNCTIONAL DESCRIPTION

SRAM Operation

SRAM operation is asynchronous. Operating modes are defined in the Truth Table. Read operations can be controlled by Address (A(0-18)) or Chip Select (NCS). Write operations can be controlled by Write Enable (NWE) or Chip Select (NCS).

Read Operation

A read operation occurs when Chip Select (NCS) is low and Write Enable (NWE) is high. The output drivers are controlled independently by the Output Enable (NOE) signal.

To control a read cycle with NCS where TSLQV is the access time, all addresses must be valid TAVQV minus TSLQV prior to the enabling NCS transition. Address transitions can occur later; however, the valid Data Output (Q) access time will then be defined by TAVQV instead of TSLQV. NCS can disable the read at any time; however, Data Output drivers will enter a High-Z state TSHQZ later.

To control a read cycle with Address where TAVQV is the access time, NCS must transition low TSLQV minus TAVQV prior to the last Address transition. The NCS transition low can occur later; however, the valid Data Output (Q) access time will then be defined by TSLQV instead of TAVQV. To perform consecutive read cycles, NCS is held continuously low, and the toggling of any Address will start a new read cycle. Any amount of toggling or skew between Address transitions is permissible; however, Data Output will not become valid until TAVQV following the last occurring Address transition. The minimum Address activated read cycle time is TAVAVR which is the time between the last Address transition of the previous cycle and the first Address transition of the next cycle. The valid Data Output from a previous cycle will remain valid until TAXQX following the first Address transition of the next cycle.

Write Operation

A write operation occurs when Write Enable (NWE) is low and Chip Select (NCS) is low. Either NWE or NCS can start the write mode and either can end the write mode, but the write operation itself is defined by the overlap of NCS low and NWE low. Both modes of control are similar, except the NCS controlled mode disables the SRAM when NCS is high between writes. NWE/NCS controls the start of write when NCS/NWE transitions low before NWE/NCS transitions low. NWE/NCS controls the end of write when NCS/NWE transitions high after NWE/NCS transitions high.

To write Data (D) into the SRAM, NWE and NCS must be held low for at least TWLWH and TSLSH respectively. Any amount of skew between these signal transitions can be tolerated, and either one of these control signals can start or end the write operation as long as TSLWH and TWLSH are met.

Address inputs must be valid at least TAVWL/TAVSL before the start of write from an NWE/NCS transition low and TAVWH/TAVSH before the end of write from an NWE/NCS transition high and must remain valid during the write operation. Hold times for address inputs with respect to the end of write from a NWE/NCS transition high must be a minimum of TWHAX/TSHAX.

A Data Input (D) valid to the end of write time from an NWE/NCS transition high of TDVWH/TDVSH must be provided during the write operation. Hold times for Data Input with respect to the disabling NWE/NCS transition high must be at least TWHDX/TSHDX. To avoid Data Input driver contention with the SRAM output driver, the Data Input (D) must not be applied until TWLQZ/TGHQZ after the output drive (Q) is put into a High-Z condition by NWE/NOE.

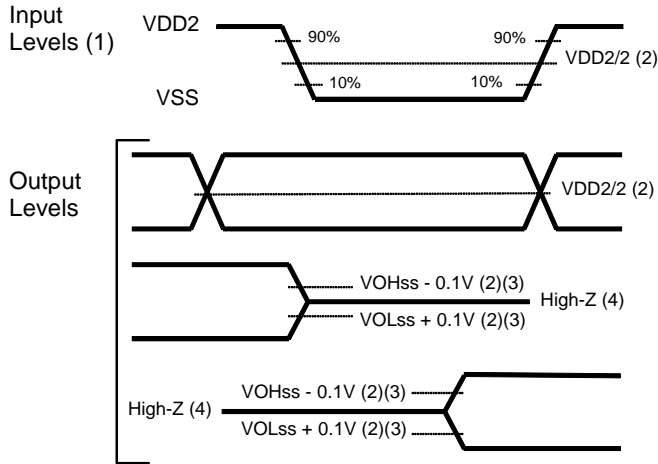
Consecutive write cycles are performed by toggling at least one of the NCS or NWE control signals high for TWHWL/TSHSL. If only one of these signals is used, the other must be in its write enable state (NWE or NCS held low). The minimum NWE/NCS write cycle time is TAVAVW/TAVAVS.

Signal Integrity

As a general design practice, one should have good signal integrity which means input signals that are free of noise, glitches and ringing with rising and falling edges of $\leq 10\text{ns}$. More specifically, an input is considered to have good signal integrity when the input voltage monotonically traverses the region between VIL and VIH in $\leq 10\text{ns}$. This is especially important in a selected and enabled state. When the device is selected and enabled, the last transitioning input for the desired operation must have good signal integrity to maintain valid operation. The transitioning inputs that bring the device into and out of a selected and enabled state must also have good signal integrity to maintain valid operation. When the device is deselected and/or disabled, inputs can have poor signal integrity and even float as long as the inputs that are defining the deselected and/or disabled state stay within valid VIL and VIH voltage levels. However, floating inputs for an extended period of time is not recommended.

HXS6408

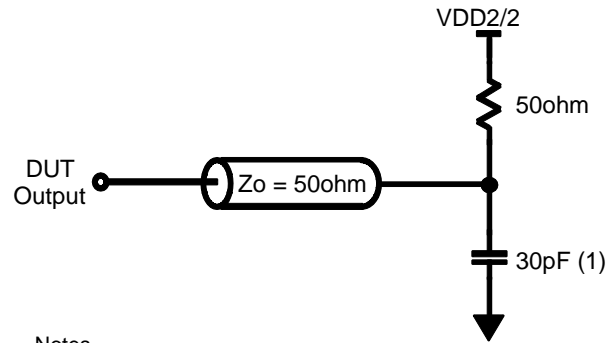
AC TIMING INPUT AND OUTPUT REFERENCES



Notes

- (1) Input rise and fall times = 1ns between the 90% and 10% levels.
- (2) Timing parameter reference voltage level.
- (3) ss: Low-Z VOH and VOL steady-state output voltage.
- (4) High-Z output pin pulled to VDD2/2 by Reference Load Circuit.

REFERENCE LOAD CIRCUIT



Notes

- (1) Set to 5pF for T*QZ (Low-Z to High-Z) timing parameters.

RELIABILITY

For many years Honeywell has been producing integrated circuits that meet the stringent reliability requirements of space and defense systems. Honeywell has delivered hundreds of thousands of QML parts since first becoming QML qualified in 1990. Using this proven approach Honeywell will assure the reliability of the products manufactured with the SOI CMOS process technology. This approach includes adhering to Honeywell's Quality Management Plan for:

- Designing in reliability by establishing electrical rules based on wear out mechanism characterization performed on specially designed test structures (electromigration, TDD, hot carriers, bias temperature instability and radiation).
- Utilizing a structured and controlled design process.
- Statistically controlling wafer fabrication process with a continuous defect reduction process.
- Performing individual wafer lot acceptance through process monitor testing (includes radiation testing).
- Using characterized and qualified packages.
- Performing thorough product testing program based on MIL-PRF-38535 and MIL-STD 883.

SCREENING AND CONFORMANCE INSPECTION

The product test flow includes screening units with the applicable flow (Engineering Model, QML V, QML Q, Class V and Q equivalent) and the appropriate periodic or lot conformance testing (Groups A, B, C, D, and E). Both the wafer process and the products are subject to periodic or lot based Technology Conformance Inspection (TCI) and Quality Conformance Inspection (QCI) tests as defined by Honeywell's Quality Management Plan.

Conformance Summary

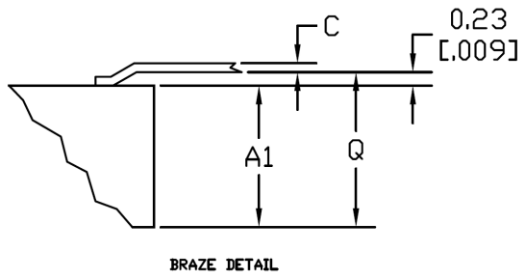
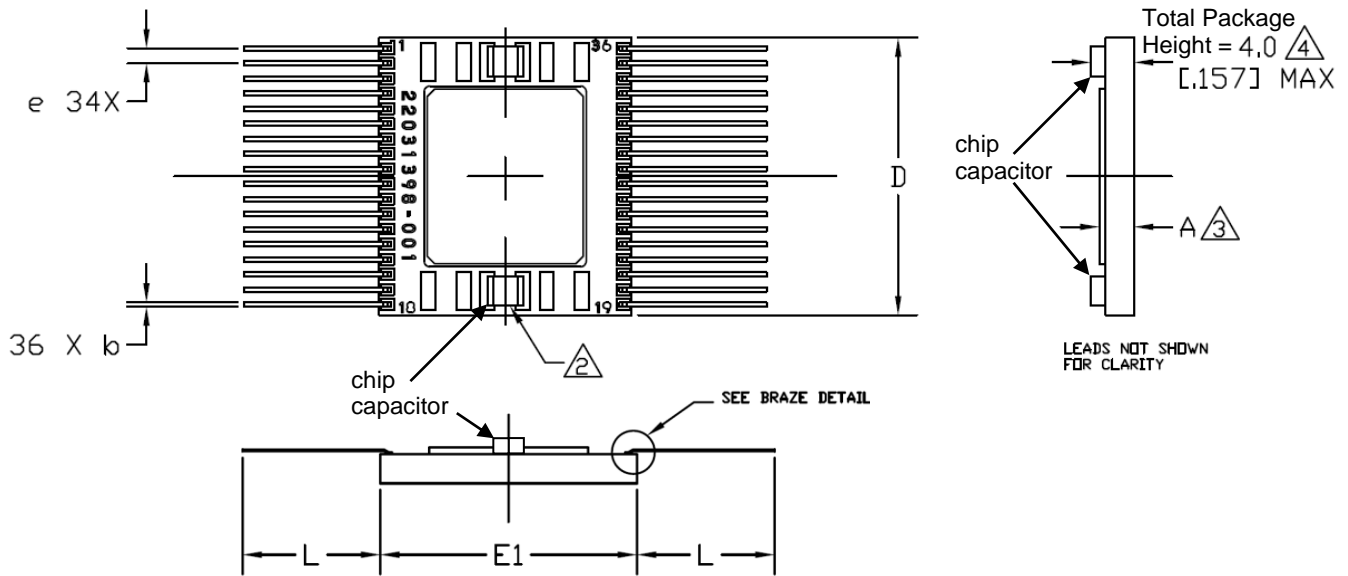
Group A	General Electrical Tests
Group B	Mechanical – Resistance to Solvents, Bond Strength, Die Shear, Solderability
Group C	Life Tests - 1000 hours at 125C or equivalent
Group D	Package Related Mechanical Tests – Physical Dimensions, Lead Integrity, Thermal Shock, Temp Cycle, Moisture Resistance, Seal, Mechanical Shock, Vibration, Acceleration, Salt Atmosphere, Internal Water Vapor, Adhesion of Lead Finish
Group E	Radiation Tests

HXS6408

PACKAGING

The 512k x 8 SRAM is offered in a 36-lead flat pack. This package is constructed of multi-layer ceramic (Al_2O_3) and contains internal power and ground planes. The package lid material is ceramic. The finished packaged part weighs 5.4 grams.

PACKAGE OUTLINE



1. UNITS IN MM [IN].

- 2. PACKAGE MAY CONTAIN UP TO 6 CDR33 CHIP CAPACITORS. THE STANDARD CONFIGURATION IS 2 CAPACITORS AS SHOWN.
- 3. A IS HEIGHT OF PACKAGE INCLUDING LID, NO CAPACITORS
- 4. HEIGHT OF PACAKGE INCLUDING CAPACITORS.

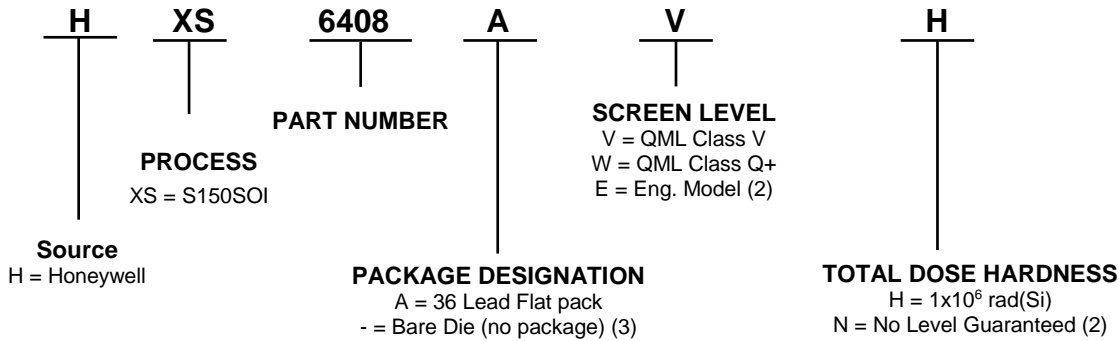
SYMBOL	COMMON DIMENSIONS MILLIMETERS			COMMON DIMENSIONS INCHES		
	MIN.	NOM.	MAX.	MIN.	NOM.	MAX.
A	2.62	2.94	3.28	.103	.116	.129
A1	2.16	2.41	2.66	.085	.095	.105
b	.041	.046	.051	.016	.018	.020
C	0.10	0.15	0.20	.004	.006	.008
D	23.14	23.37	23.60	.911	.920	.929
e	1.14	1.27	1.40	.045	.050	.055
E1	21.14	21.34	21.54	.832	.840	.848
L	---	11.43	---	---	.450	---
Q	---	2.64	---	---	.104	---

HXS6408

ORDERING INFORMATION (1)

Standard Microcircuit Drawing

The HXSR6408 SRAM can be ordered under the SMD drawing 5962-08215.



- (1) Orders may be faxed to 763-954-2051. Please contact our Customer Service Representative at 1-800-323-8295 for further information.
- (2) Engineering Model Description: Engineering Model suffix for Screening Level and Total Dose Hardness shall be "EN". Parameters are tested -55°C to 125°C, 24 hour burn-in, no radiation hardness guaranteed.
- (3) Contact Honeywell regarding details of bare die deliverables.

For more information about Honeywell's family of radiation hardened integrated circuit products and services, visit www.honeywellmicroelectronics.com.

This product and related technical data is subject to the U.S. Department of State International Traffic in Arms Regulations (ITAR) 22 CFR 120-130 and may not be exported, as defined by the ITAR, without the appropriate prior authorization from the Directorate of Defense Trade Controls, United States Department of State. Diversion contrary to U.S. export laws and regulations is prohibited. This datasheet includes only basic marketing information on the function of the product and therefore is not considered technical data as defined in 22CFR 120.10.

Honeywell reserves the right to make changes of any sort without notice to any and all products, technology and testing identified herein. You are advised to consult Honeywell or an authorized sales representative to verify that the information in this data sheet is current before ordering this product. Absent express contract terms to the contrary, Honeywell does not assume any liability of any sort arising out of the application or use of any product or circuit described herein; nor does it convey any license or other intellectual property rights of Honeywell or of third parties.