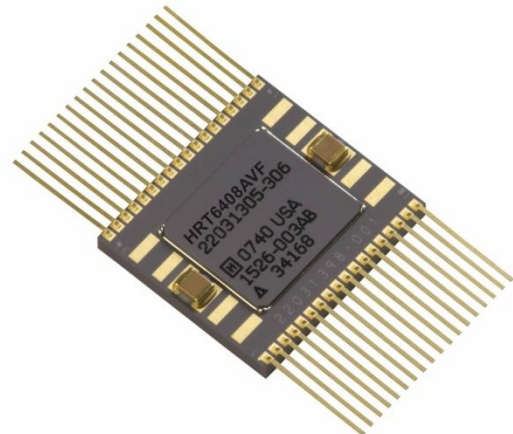


# HRT6408

## 512K x 8 STATIC RAM

The monolithic 512k x 8 Radiation Tolerant Static RAM is a high performance 524,288 word x 8-bit static random access memory, fabricated with Honeywell's 150nm silicon-on-insulator CMOS (S150) technology. It is designed for use in low voltage systems operating in radiation environments. The SRAM operates over the full military temperature range and supports I/O supply voltages of 2.5V and 3.3V. For 2.5V operation the user must provide an external 1.8V power supply. For 3.3V operation the user can provide an external 1.8V power supply or use the internal voltage regulator which operates off the I/O supply. It is available in package and bare die form.



Honeywell's S150 technology provides radiation tolerance through the use of advanced and proprietary design, layout and process techniques. There is no internal ECC implemented.

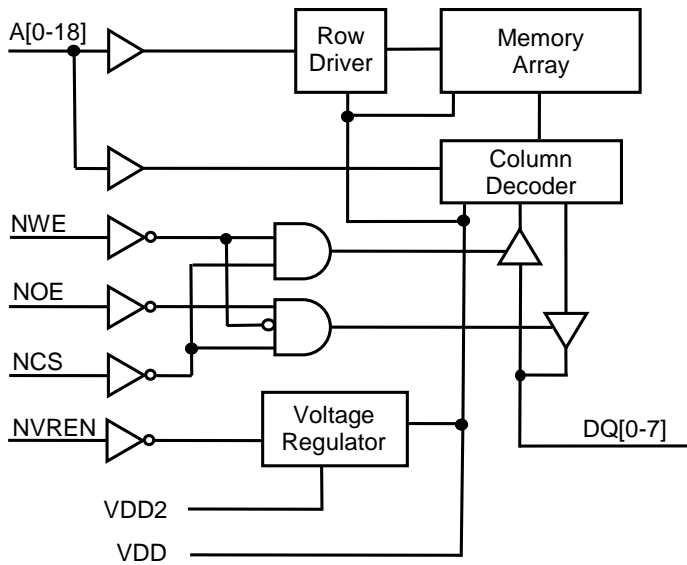
It is a low power process with a minimum drawn feature size of 150nm. This delivers high speed typical READ cycle time of 12ns, WRITE cycle time of 7ns and low power consumption of 80mW at 40MHz.

The memory cell is single event upset hardened, while four layer metal power busing and small collection volumes of SOI provides superior single event effect.

### FEATURES

- Fabricated on S150 Silicon On Insulator (SOI) CMOS
- 150nm Process (Leff = 110nm)
- High Speed
  - 7ns Typical Write Cycle
  - 12ns Typical Read Cycle
- Asynchronous Operation
- CMOS Compatible I/O
- Total Dose  $3 \times 10^5$  rad(Si)
- Soft Error Rate
  - Heavy Ion  $1 \times 10^{-12}$  upsets/bit-day
  - Proton  $2 \times 10^{-12}$  upsets/bit-day
- Neutron Irradiation  $1 \times 10^{14}$  n/cm<sup>2</sup>
- Latchup Immune
- Core Operating Voltage
  - 1.8V or Internal Regulator
- I/O Voltages
  - 2.5V or 3.3V
- Operating Temperature Range
  - 55°C to +125°C
- 36-Lead Ceramic Flat Pack Package

## SIMPLIFIED FUNCTIONAL BLOCK DIAGRAM



## 36 LEAD FLAT PACK PINOUT

HRT6408 Top View			
A0	1	36	NVREN
A1	2	35	A18
A2	3	34	A17
A3	4	33	A16
A4	5	32	A15
NCS	6	31	NOE
DQ0	7	30	DQ4
DQ1	8	29	DQ5
VDD2	9	28	VSS
VSS	10	27	VDD2
DQ2	11	26	DQ6
DQ3	12	25	DQ7
NWE	13	24	A14
A5	14	23	A13
A6	15	22	A12
A7	16	21	A11
A8	17	20	A10
A9	18	19	VDD*

\* Do Not Connect if NVREN = 0 (Low)

## PIN NAME DEFINITIONS

Pin Name	Timing Symbol	Definition
A[0-18]	A	Address input pins. Selects a particular 8-bit word within the memory array.
DQ[0-7]	D Q	Bi-directional data I/O pins. Data inputs (D) during a write operation. Data outputs (Q) during a read operation.
NCS	S	Negative chip select. Low allows normal read or write operation. High puts the SRAM into a deselected condition and holds the data output drivers in a high impedance (High-Z) state. If not used, it must be connected to VSS.
NWE	W	Negative write enable. Low activates a write operation and holds the data output drivers in a high impedance (High-Z) state. High allows normal read operation.
NOE	G	Negative output enable. High holds the data output drivers in a high impedance (High-Z) state. Low the data output driver state is defined by NCS and NWE. If not used, it must be connected to VSS.
NVREN		Negative voltage regulator enable. High disables the voltage regulator and the SRAM core operates directly from the supply on the VDD pin. Low enables the voltage regulator and provides the VDD supply from the VDD2 supply. It has an internal pull-down, so if not driven it will pull itself low and the voltage regulator will be enabled.
VDD		Power input. Supplies power for the SRAM core when the voltage regulator is disabled. This pin is a DNC (Do Not Connect) when the voltage regulator is enabled.
VDD2		Power input. Supplies power for the I/O. Also supplies power for the SRAM core through the voltage regulator when it is enabled.
VSS		Ground

## TRUTH TABLE

NCS	NVREN	NWE	NOE	VOLTAGE REGULATOR	MODE	DQ MODE
H	L	X	X	Enabled	Deselected	High-Z
L	L	H	L	Enabled	Read	Data Out
L	L	H	H	Enabled	Read Standby	High-Z
L	L	L	X	Enabled	Write	Data In
H	H	X	X	Disabled	Deselected	High-Z
L	H	H	L	Disabled	Read	Data Out
L	H	H	H	Disabled	Read Standby	High-Z
L	H	L	X	Disabled	Write	Data In

## ABSOLUTE MAXIMUM RATINGS (1)

Symbol	Parameter	Ratings		Unit
		Min	Max	
VDD2	Positive Supply Voltage (I/O) Referenced to VSS	-0.5	4.4	V
VDD	Positive Supply Voltage (core) Referenced to VSS	-0.5	2.4	V
VIO	Voltage on Any Input or Output Pin Referenced to VSS	-0.5	VDD2 + 0.5	V
IOUT	Average Output Current		15	mA
TSTORE	Storage Temperature	-65	150	°C
TSOLDER (2)	Soldering Temperature		270	°C
PD (3)	Package Power Dissipation		0.7	W
PJC	Package Thermal Resistance (Junction to Case)		2.0	°C/W
VPROT	Electrostatic Discharge Protection Voltage (Human Body Model)	2000		V
TJ	Junction Temperature		175	°C

(1) Stresses in excess of those listed above may result in immediate permanent damage to the device. These are stress ratings only and operation at these levels is not implied. Frequent or extended exposure to absolute maximum conditions may affect device reliability.

(2) Maximum soldering temperature can be maintained for no more than 5 seconds.

(3) IDDSB power + IDDOP power + Output driver power due to external loading must not exceed this specification.

## RECOMMENDED OPERATING CONDITIONS (1)

Symbol	Parameter	Limits			Unit
		Min	Typ	Max	
VDD2 (2)	Positive Supply Voltage (3.3V I/O) Referenced to VSS	3.0	3.3	3.6	V
	Positive Supply Voltage (2.5V I/O) Referenced to VSS(5)	2.3	2.5	2.7	V
VDD (2)(3)	Positive Supply Voltage (core) Referenced to VSS	1.65	1.80	1.95	V
TC	Case Temperature	-55	25	125	°C
VIO	Voltage on Any Input or Output Pin Referenced to VSS	-0.3		VDD2 + 0.3	V
TRAMP	VDD and VDD2 Power Supply Ramp Rate			1	s
TREG (4)	Voltage Regulator Settling Time after VDD2 power up			100	us

(1) Specifications listed in datasheet apply when operated under the Recommended Operating Conditions unless otherwise specified.

(2) Power Sequencing: When the voltage regulator is disabled, VDD2 must always be  $\geq(VDD - 0.3V)$  during both power up and power down.

(3) The VDD supply is generated internally by the voltage regulator when NVREN is low or can be driven externally.

VDD (Pin 19) is required to be a DNC (Do Not Connect) when NVREN is low or left undriven (NVREN has an internal pull-down).

(4) Guaranteed but not tested.

(5) Voltage Regulator must be disabled and VDD must be driven externally.

# HRT6408

## POWER SUPPLY FUNCTIONAL CONFIGURATIONS

### Core Power Source

The SRAM core supply is VDD and it can be powered by two methods. The power can be supplied directly to the VDD pin or the internal voltage regulator can be used to power the VDD pin. If the user elects to operate with both VDD2 and VDD power supplies, the voltage regulator must be disabled. If the user elects to operate with only the VDD2 power supply, the voltage regulator must be enabled and it will use the VDD2 power supply to generate the core supply. The internal voltage regulator operation is controlled by NVREN.

The voltage regulator is not intended to power other devices in addition to the SRAM. The SRAM is qualified to operate in either voltage regulator enabled or voltage regulator disabled mode but not switch between modes through the life of the part.

Two external 0.1uF chip capacitors are mounted on the package body between VDD and VSS for

additional core power supply energy storage and support high speed supply current demands.

The internal voltage regulator has a start up settling time (TREG) after VDD2 reaches the recommended operating level.

### Power Sequencing

When the voltage regulator is disabled, VDD2 must always be  $\geq(VDD - 0.3V)$  during both power up and power down.

### Power

The total SRAM power is the sum of the power from the standby current (IDDSB), the power from the dynamic current (IDDOPx) and the power from the output driver current driving the output load.

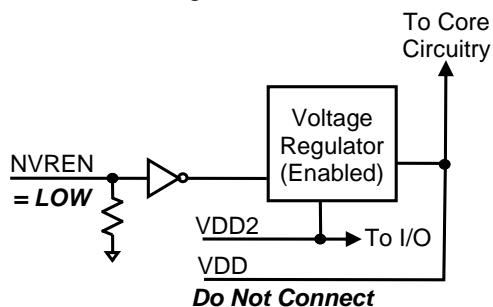
---

## VDD2 ONLY POWER SOURCE

- NVREN = 0 (Low)
- Voltage Regulator is Enabled
- VDD2 pin = 3.3V Supply
- VDD pin = Do Not Connect

When pin NVREN is low, the SRAM must be powered only by VDD2. The VDD pin (pin 19) must be left open (Do Not Connect). The power for the SRAM is supplied only to the VDD2 pins (pins 9 and 27). The I/O voltage is defined by the VDD2 voltage.

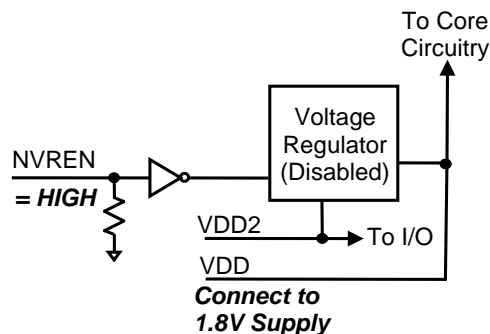
**When this mode is used, the part is a pin for pin match to the HX6408 SRAM.** Note there is an internal pull-down on pin NVREN (see II\_NVREN) as shown in the diagram below.



## VDD2 AND VDD POWER SOURCE

- NVREN = 1 (High)
- Voltage Regulator is Disabled
- VDD2 pin = 2.5V or 3.3V Supply
- VDD pin = 1.8V Supply

When pin NVREN is high, the SRAM must be powered by both VDD2 and VDD. 1.8V must be supplied to the VDD pin (Pin 19). Supplying power to the VDD2 pins (pins 9 and 27) is still required and may be 2.5V or 3.3V. The I/O voltage is defined by the VDD2 voltage. Note there is an internal pull-down on pin NVREN (see II\_NVREN) as shown in the diagram below.



**RADIATION HARDNESS RATINGS (1)**

Symbol	Parameter	Environment Conditions	Limits	Unit
TID	Total Ionizing Dose		$3 \times 10^5$	rad(Si)
SER (2)	Projected Soft Error Rate Heavy Ion Proton	Geosynchronous orbit during solar minimum non-flare conditions behind 100mil Aluminum shield	$1 \times 10^{-12}$ $2 \times 10^{-12}$	upsets/bit-day upsets/bit-day
		Neutron Irradiation Damage	1 MeV equivalent energy	$1 \times 10^{14}$

(1) Device will not latchup when exposed to any of the specified radiation environments.

(2) Calculated using CREME96.

**RADIATION CHARACTERISTICS****Total Ionizing Dose Radiation**

The S150 SRAM radiation hardness assurance TID level was qualified by <sup>60</sup>Co testing, including overdose and accelerated annealing, per MIL-STD-883 Method 1019. Ongoing assurance is provided by wafer level X-ray testing during manufacturing.

**Single Event Soft Error Rate**

Special process, memory cell, circuit and layout design considerations are included in the SRAM to minimize the impact of heavy ion and proton radiation and achieve small projected SER. These techniques sufficiently harden the SRAM such that cell redundancy and scrubbing are not required to achieve the projected SER.

**Neutron Irradiation Damage**

SOI CMOS is inherently tolerant to damage from neutron irradiation. The SRAM meets functional and timing specifications after exposure to the specified neutron fluence.

**Latchup**

The SRAM will not latchup when exposed to any of the above radiation environments when applied under recommended operating conditions. SOI CMOS provides oxide isolation between adjacent PMOS and NMOS transistors and eliminates any potential SCR latchup structures.

**PIN CAPACITANCE (1)**

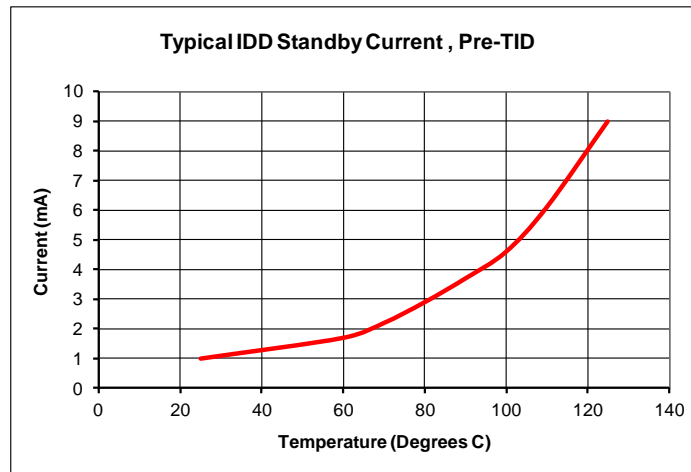
Symbol	Parameter	Max	Unit
CA	Address Pin Capacitance	7	pF
CNOE	NOE Pin Capacitance	17	pF
CNWE	NWE Pin Capacitance	17	pF
CNCS	NCS Pin Capacitance	20	pF
CDQ	Data I/O Pin Capacitance	7	pF

(1) Maximum capacitance is verified as part of initial qualification only.

**POWER PIN ELECTRICAL CHARACTERISTICS**

Symbol	Parameter	Conditions		Max				Unit
				Voltage Regulator Disabled		Voltage Regulator Enabled		
				VDD	VDD2	VDD	VDD2	
IDDSB (1)	Static Supply Current	VIH = VDD2, VIL = VSS, DQ = High-Z	TA=25°C, pre-TID	2	0.2	NA	2.5	mA
				12	0.2	NA	12	mA
IDDOPW (2)(3)	Dynamic Supply Current Selected, Write	VIH = VDD2, VIL = VSS, DQ = High-Z	1MHz	1.25	0.15	NA	1.25	mA
			2MHz	2.5	0.3	NA	2.5	mA
			10MHz	10	1.5	NA	10	mA
			25MHz	25	3.8	NA	25	mA
			40MHz	40	6.0	NA	40	mA
			50MHz	50	7.5	NA	50	mA
IDDOPR (2)(3)	Dynamic Supply Current Selected, Read	VIH = VDD2, VIL = VSS, DQ = High-Z	1MHz	0.75	0.125	NA	0.75	mA
			2MHz	1.5	0.25	NA	1.5	mA
			10MHz	6.0	1.25	NA	6.0	mA
			25MHz	15	3.13	NA	15	mA
			40MHz	24	5.0	NA	24	mA
			50MHz	30	6.25	NA	30	mA
IDDOPD (2)(3)	Dynamic Supply Current Deselected	VIH = VDD2, VIL = VSS, DQ = High-Z	1 MHz	0.1	0.1	NA	0.12	mA
			40MHz	1	4	NA	5	mA
IDRRD	Data Retention Supply Current, Voltage Regulator Disabled	VDD = 1V, VDD2 = 2V	TA=25°C, pre-TID (5)	1	1	NA	NA	mA
				10	1	NA	NA	mA
IDRRE (4)	Data Retention Supply Current, Voltage Regulator Enabled	VDD2 = 2V	TA=25°C, pre-TID (5)	NA	NA	NA	2	mA
				NA	NA	NA	11	mA

- (1) See figure "Typical IDD Standby Current, Pre-TID" below for typical pre-TID current values. This is provided for information only.
- (2) All inputs switching. DC average current.
- (3) All dynamic operating mode current measurements (IDDOPx) exclude standby mode current (IDDSB).
- (4) Guaranteed, but not tested.
- (5) This is an estimated maximum for reference and is not a pass/fail criteria. This is provided for information only.



## SIGNAL PIN ELECTRICAL CHARACTERISTICS (1)

Symbol	Parameter	Conditions	Min	Max	Unit
IIN (2)	Input Leakage Current	$V_{SS} \leq V_{IN} \leq V_{DD2}$	-5	5	$\mu\text{A}$
IIH_NVREN	NVREN Input Pull-Down Current	$NVREN = V_{DD2}$	200	700	$\mu\text{A}$
IOZ	Output Leakage Current	DQ = High-Z	-10	10	$\mu\text{A}$
VIL (3)	Low-Level Input Voltage			$0.3 \times V_{DD2}$	V
VIH (3)	High-Level Input Voltage		$0.7 \times V_{DD2}$		V
VOL1	Low-Level Output Voltage for 3.3V I/O	$I_{OL} = 10\text{mA}$		0.4	V
VOH1	High-Level Output Voltage for 3.3V I/O	$I_{OH} = -5\text{mA}$	2.7		V
VOL2 (3)	Low-Level Output Voltage for 2.5V I/O	$I_{OL} = 10\text{mA}$		0.4	V
VOH2 (3)	High-Level Output Voltage for 2.5V I/O	$I_{OH} = -5\text{mA}$	2.0		V

(1) Voltages referenced to VSS.

(2) Excluding the NVREN pin.

(3) Guaranteed, but not tested for 2.5V I/O.

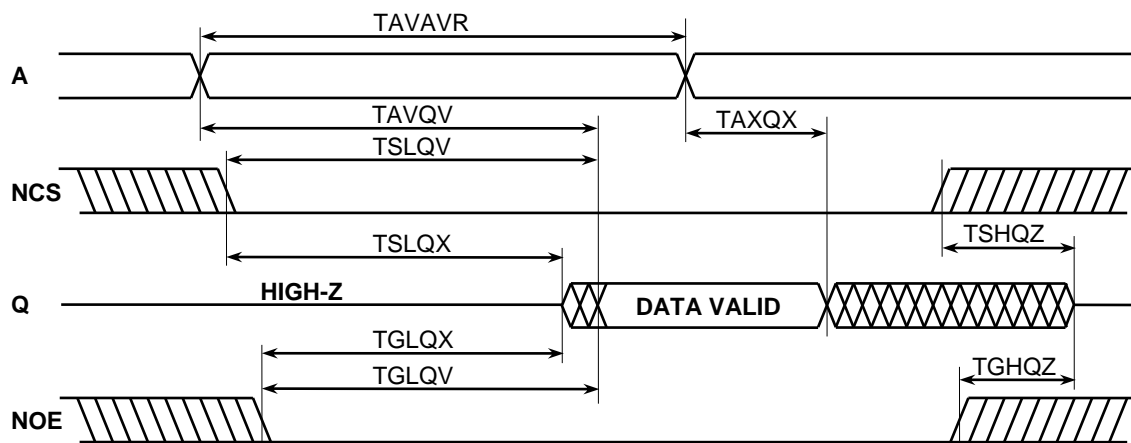
## READ CYCLE TIMING CHARACTERISTICS (1)(2)

Symbol	Parameter	Limits 2.5V I/O		Limits 3.3V I/O		Unit
		Min	Max	Min	Max	
TAVAVR	Read Cycle Time	16.5		15		ns
TAVQV	Address Valid to Output Valid Access Time		16.5		15	ns
TAXQX	Address Change to Output Invalid Time	5		5		ns
TSLQV	Chip Select to Output Valid Access Time		16.5		15	ns
TSLQX	Chip Select to Output Low-Z Time	0		0		ns
TSHQZ	Chip Select to Output High-Z Time		2		2	ns
TGLQV	Output Enable to Output Valid Access Time		5		4	ns
TGLQX	Output Enable to Output Low-Z Time	0.5		0.5		ns
TGHQZ	Output Enable to Output High-Z Time		3		3	ns

(1) The timing specifications are referenced to the Timing Input and Output References diagram and the Timing Reference Load Circuit diagram. IBIS models should be used to evaluate timing under application load circuits.

(2) NWE = High

## READ CYCLE TIMING WAVEFORMS



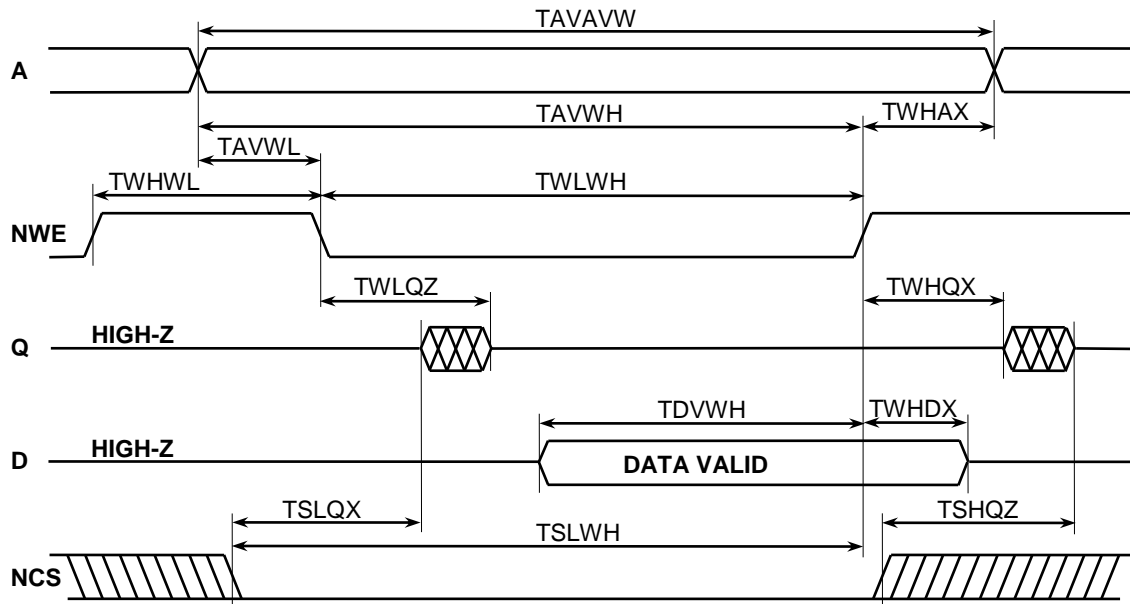
# HRT6408

## WRITE CYCLE TIMING CHARACTERISTICS (1)(2)(3)

Symbol	Parameter	Limits 2.5V I/O		Limits 3.3V I/O		Unit
		Min	Max	Min	Max	
TAVAVW	Write Cycle Time	10		10		ns
TWLWH	Start of Write to End of Write Pulse Width	6		6		ns
TSLWH	Chip Select to End of Write Time	7		7		ns
TDVWH	Data Input Valid to End of Write Time	5		5		ns
TAVWH	Address Valid to End of Write Time	7		7		ns
TWHDX	Data Input Hold after End of Write Time	0		0		ns
TAVWL	Address Valid Setup to Start of Write Time	0		0		ns
TWHAX	Address Valid Hold after End of Write Time	0		0		ns
TWLQZ	Start of Write to Output High-Z Time		2.5		2	ns
TWHQX	End of Write to Output Low-Z Time	1		1		ns
TWHWL	End of Write to Start of Write Pulse Width	4		4		ns

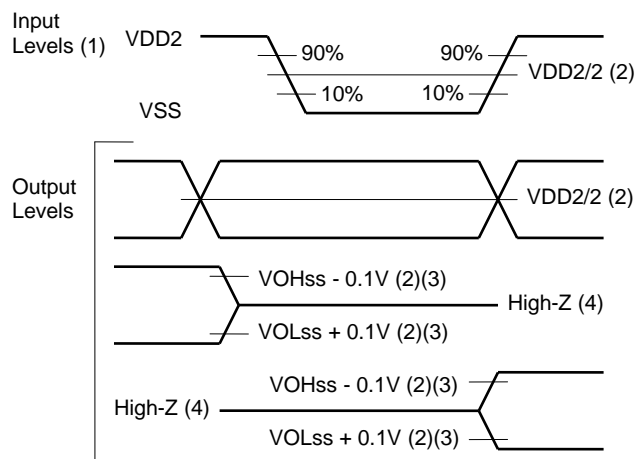
- (1) The timing specifications are referenced to the Timing Input and Output References diagram and the Timing Reference Load Circuit diagram. IBIS models should be used to evaluate timing under application load circuits.
- (2) For an NWE controlled write, NCS must be Low when NWE is Low.
- (3) Can use NOE = High to hold Q in a High-Z state when NWE = High and NCS = Low.

## WRITE CYCLE TIMING WAVEFORMS





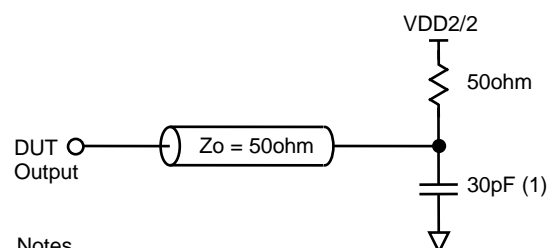
## TIMING INPUT AND OUTPUT REFERENCES



## Notes

- (1) Input rise and fall times = 1ns between 90% and 10% levels.
- (2) Timing parameter reference voltage level.
- (3) ss: Low-Z VOH and VOL steady-state output voltage.
- (4) High-Z output pin pulled to  $VDD2/2$  by Reference Load Circuit.

## TIMING REFERENCE LOAD CIRCUIT



## Notes

- (1) Set to 5pF for T\*QZ (Low-Z to High-Z) timing parameters.

## FUNCTIONAL DESCRIPTION

## SRAM Operation

SRAM operation is asynchronous. Operating modes are defined in the Truth Table. Read operations can be controlled by Address (A[0-18]) or Chip Select (NCS). Write operations can be controlled by Write Enable (NWE) or Chip Select (NCS).

## Read Operation

A read operation occurs when Chip Select (NCS) is low and Write Enable (NWE) is high. The output drivers are controlled independently by the Output Enable (NOE) signal.

To control a read cycle with NCS where TSLQV is the access time, all addresses must be valid TAVQV minus TSLQV prior to the enabling NCS transition. Address transitions can occur later; however, the valid Data Output (Q) access time will then be defined by TAVQV instead of TSLQV. NCS can disable the read at any time; however, Data Output drivers will enter a High-Z state TSHQZ later.

To control a read cycle with Address where TAVQV is the access time, NCS must transition low TSLQV minus TAVQV prior to the last Address transition. The NCS transition low can occur later; however, the valid Data Output (Q) access time will then be defined by TSLQV instead of TAVQV. To perform consecutive read cycles, NCS is held continuously low, and the toggling of any Address will start a new read cycle. Any amount of toggling or skew between

Address transitions is permissible; however, Data Output will not become valid until TAVQV following the last occurring Address transition. The minimum Address activated read cycle time is TAVAVR which is the time between the last Address transition of the previous cycle and the first Address transition of the next cycle. The valid Data Output from a previous cycle will remain valid until TAXQX following the first Address transition of the next cycle.

## Write Operation

A write operation occurs when Write Enable (NWE) is low and Chip Select (NCS) is low. Either NWE or NCS can start the write and either can end the write, but the write operation itself is defined by the overlap of NCS low and NWE low. NWE and NCS controlled writes are similar, except the NCS disables the SRAM when NCS is high between writes. NWE/NCS controls the start of write when NCS/NWE transitions low before NWE/NCS transitions low. NWE/NCS controls the end of write when NCS/NWE transitions high after NWE/NCS transitions high.

To write Data (D) into the SRAM, NWE and NCS must be held low for at least TWLWH and TSLSH respectively. Any amount of skew between these signal transitions can be tolerated, and either one of these signals can start or end the write as long as there is sufficient overlap of these signals to ensure a valid write time (i.e., TSLWH and TWLSH are met).

## HRT6408

Address inputs must be valid at least TAVWL/TAVSL before the start of write from an NWE/NCS transition low and TAVWH/TAVSH before the end of write from an NWE/NCS transition high and must remain valid during the write operation. Hold times for address inputs with respect to the end of write from a NWE/NCS transition high must be a minimum of TWHAX/TSHAX.

A Data Input (D) valid to the end of write time from an NWE/NCS transition high of TDVWH/TDVSH must be provided during the write operation. Hold times for Data Input with respect to the disabling NWE/NCS transition high must be at least TWHDX/TSHDX. To avoid Data Input driver contention with the SRAM output driver between write times, the Data Input (D) must not be applied until TWLQZ/TGHQZ after the output drive (Q) is put into a High-Z condition by NWE/NOE.

Consecutive write cycles are performed by toggling at least one of the NCS or NWE signals high for TWHWL/TSHSL. If only one of these signals is used, the other must be in its write enable state (NWE held

low or NCS held low). The minimum NWE/NCS write cycle time is TAVAVW/TAVAVS.

### Signal Integrity

As a general design practice, one should have good signal integrity which means input signals that are free of noise, glitches and ringing with rising and falling edges of  $\leq 10\text{ns}$ . More specifically, an input is considered to have good signal integrity when the input voltage monotonically traverses the region between VIL and VIH in  $\leq 10\text{ns}$ . This is especially important in a selected and enabled state. When the device is selected and enabled, the last transitioning input for the desired operation must have good signal integrity to maintain valid operation. The transitioning inputs that bring the device into and out of a selected and enabled state must also have good signal integrity to maintain valid operation. When the device is deselected and/or disabled, inputs can have poor signal integrity and even float as long as the inputs that are defining the deselected and/or disabled state stay within valid VIL and VIH voltage levels. However, floating inputs for an extended period of time is not recommended.

## RELIABILITY

For many years Honeywell has been producing integrated circuits that meet the stringent reliability requirements of space and defense systems. Honeywell has delivered hundreds of thousands of QML parts since first becoming QML qualified in 1990. Using this proven approach Honeywell will assure the reliability of the products manufactured with the SOI CMOS process technology. This approach includes adhering to Honeywell's Quality Management Plan for:

- Designing in reliability by establishing electrical rules based on wear out mechanism characterization performed on specially designed test structures (electromigration, TDDDB, hot carriers, bias temperature instability and radiation).
- Utilizing a structured and controlled design process.
- Statistically controlling wafer fabrication process with a continuous defect reduction process.
- Performing individual wafer lot acceptance through process monitor testing (includes radiation testing).
- Using characterized and qualified packages.
- Performing thorough product testing program based on MIL-PRF-38535 and MIL-STD 883.

## SCREENING AND CONFORMANCE INSPECTION

The product test flow includes screening units with the applicable flow (Engineering Model, QML V, QML Q, Class V and Q equivalent) and the appropriate periodic or lot conformance testing (Groups A, B, C, D, and E). Both the wafer process and the products are subject to periodic or lot based Technology Conformance Inspection (TCI) and Quality Conformance Inspection (QCI) tests as defined by Honeywell's Quality Management Plan.

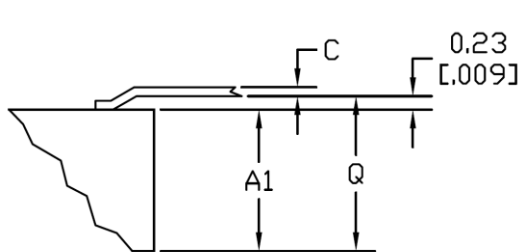
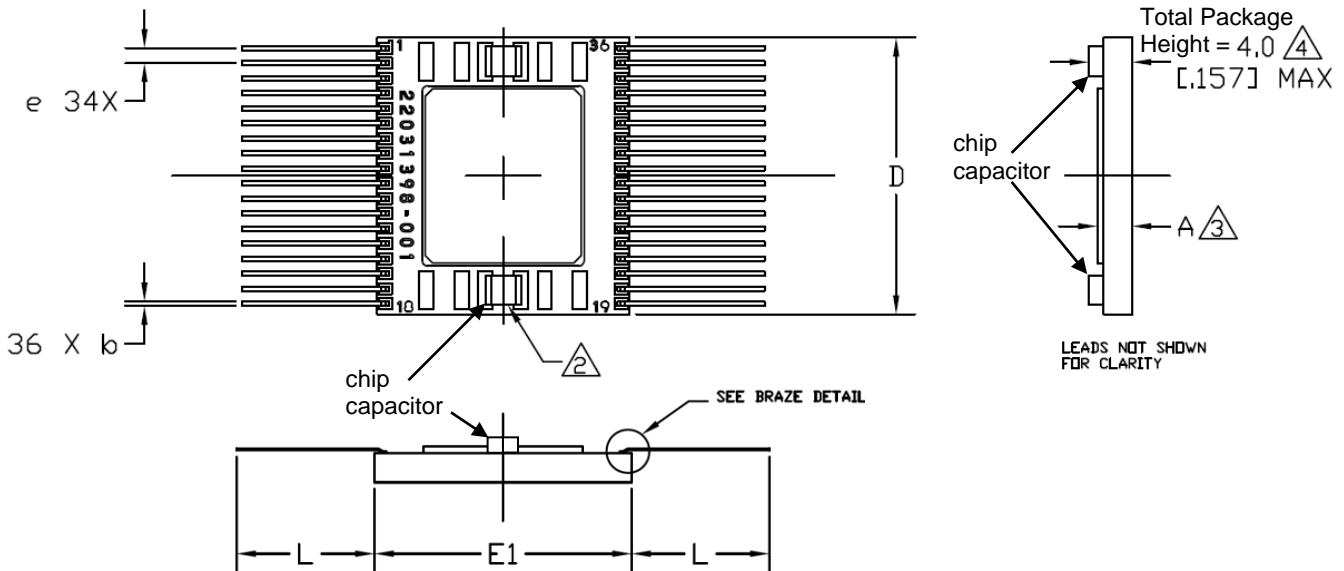
### Conformance Summary

Group A	General Electrical Tests
Group B	Mechanical – Resistance to Solvents, Bond Strength, Die Shear, Solderability
Group C	Life Tests - 1000 hours at 125C or equivalent
Group D	Package Related Mechanical Tests – Physical Dimensions, Lead Integrity, Thermal Shock, Temp Cycle, Moisture Resistance, Seal, Mechanical Shock, Vibration, Acceleration, Salt Atmosphere, Internal Water Vapor, Adhesion of Lead Finish
Group E	Radiation Tests

**PACKAGE FEATURES**

Feature	Description
Designation	A
Type	36-lead flat pack
Body Construct	multi-layer ceramic (Al <sub>2</sub> O <sub>3</sub> )
Power Planes	Yes
Lid Construct	Ceramic (Al <sub>2</sub> O <sub>3</sub> )
Lid Electrical Connection	NA
VDD to VSS Chip Capacitors (Caps)	2 x 0.1uF
Body + Caps Dimensions (nominal)	21.34 x 23.37 x 4.0 mm
Weight (including Caps) (typical)	5.4g

**PACKAGE OUTLINE**



BRAZE DETAIL

1. UNITS IN MM [IN].

- 2. PACKAGE MAY CONTAIN UP TO 6 CDR33 CHIP CAPACITORS, THE STANDARD CONFIGURATION IS 2 CAPACITORS AS SHOWN.
- 3. A IS HEIGHT OF PACKAGE INCLUDING LID, NO CAPACITORS
- 4. HEIGHT OF PACKAGE INCLUDING CAPACITORS.

SYMBOL	COMMON DIMENSIONS MILLIMETERS			COMMON DIMENSIONS INCHES		
	MIN.	NOM.	MAX.	MIN.	NOM.	MAX.
A	2.62	2.94	3.28	.103	.116	.129
A1	2.16	2.41	2.66	.085	.095	.105
b	.041	.046	.051	.016	.018	.020
C	0.10	0.15	0.20	.004	.006	.008
D	23.14	23.37	23.60	.911	.920	.929
e	1.14	1.27	1.40	.045	.050	.055
E1	21.14	21.34	21.54	.832	.840	.848
L	---	11.43	---	---	.450	---
Q	---	2.64	---	---	.104	---

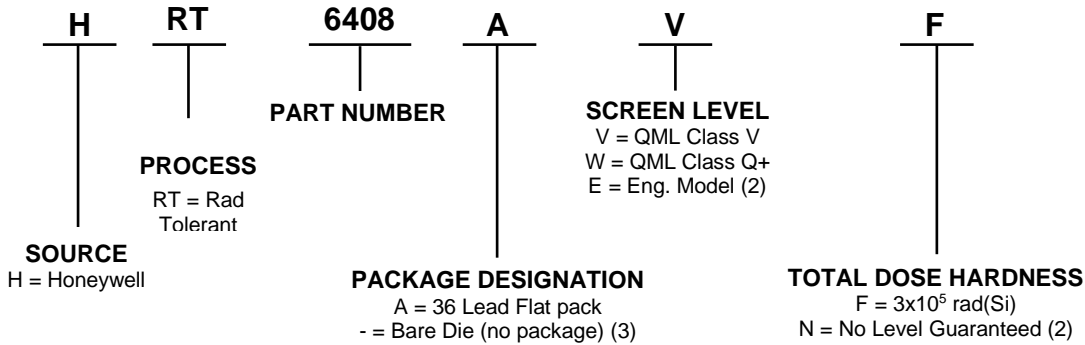
# HRT6408

## ORDERING INFORMATION (1)

### Standard Microcircuit Drawing (SMD)

The HRT6408 SRAM can be ordered under the SMD drawing 5962-08215.

### Order Code



- (1) Orders may be faxed to 763-954-2051. Please contact our Customer Service Representative at 1-763-954-2474 or 1-800-323-8295 for further information.
- (2) Engineering Model Description: Engineering Model suffix for Screening Level and Total Dose Hardness must be "EN". Parameters are tested -55°C to 125°C, 24 hour burn-in, no radiation hardness guaranteed.
- (3) Information herein applies to packaged parts. Contact Honeywell for bare die information.

### FIND OUT MORE

For more information about Honeywell's family of radiation hardened integrated circuit products and services, visit [www.honeywellmicroelectronics.com](http://www.honeywellmicroelectronics.com).

*Honeywell reserves the right to make changes of any sort without notice to any and all products, technology and testing identified herein. You are advised to consult Honeywell or an authorized sales representative to verify that the information in this data sheet is current before ordering this product. Absent express contract terms to the contrary, Honeywell does not assume any liability of any sort arising out of the application or use of any product or circuit described herein; nor does it convey any license or other intellectual property rights of Honeywell or of third parties.*