

# ADG LITE EDITION | 1AEN

Honeywell's Aircraft Data Gateway's enables real-time wireless distribution of databases, loadable software, flight data and passenger traffic enhancing aircraft and flight efficiencies, plus enhanced connections to EFB applications for pilots from ground servers, while grounded or via SATCOM.



ADG LITE, 1AEN

The ADG LITE (1AEN) is Honeywell's smallest data gateway, that enables aircraft applications and simplifies expandability for more demanding I/O requirements. It also provides a simplified upgrade path to higher capacity aircraft data gateways, the ADG COMM or ADG EPIC.

The ADG LITE also features state-of-the-art cybersecurity, providing users a programmable multi-interface firewall with secure storage and secure data Transfer.

## SOLUTION OVERVIEW

Send/receive secure data with Honeywell Ground-Based SIGNS servers, with Airline/OEM Ground facilities and the Honeywell Forge Cloud.

- Simple and quick installation with minimal downtime - less than 1 hour
- Installed close to the LRU/Bus/Sensors
- ARINC-759 AID / ARINC-834 ADIF Functionality for Interfacing with EFBs
- Wireless ARINC-717 QAR
- Customizable Data Offload via Local WiFi, Terminal WiFi or SATCOM
- Flange Mounted or Strap on
- Lighter, Faster and lowest cost in the market today

### ADG LITE DIMENSIONS

SIZE	H	W	L
	1"	1.9"	2.6"
WEIGHT	< 0.25 lbs		
POWER	28 VDC		
SECURITY	SIGNS Secure Data Connection & Data Transfer		
FUNCTIONS	<ul style="list-style-type: none"> <li>• wQAR</li> <li>• AID</li> <li>• Data over SATCOM</li> <li>• Internal Antenna</li> </ul>		
QUAL	<ul style="list-style-type: none"> <li>• Environmental: DO-160G</li> <li>• Op. Temp: -40° C. to +82° C.</li> <li>• Vibration: Helo Rated (Cat U2)</li> <li>• Software: DO-178 Level E</li> </ul>		



**Honeywell**

## DATA COLLECTION PACKAGES

### ADG LITE SERIAL PACKAGE

2 RS-485  
 2 RS-422  
 ARINC 429 | 2Rx / 1Tx  
 1 Ethernet 10/100 Base T

#### Discrete

1 WiFi, Enable/Disable	0 Programmable
1 Maintenance Mode	
32 GB Storage	
WiFi   802.11 b/g/n/ac	

### ADG LITE QAR PACKAGE

ARINC 717 | 1Rx  
 ARINC 429 | 2Rx / 1Tx  
 1 Ethernet 10/100 Base T

#### Discrete

1 WiFi, Enable/Disable	3 Programmable
1 Maintenance Mode	
32 GB Storage	
WiFi   802.11 b/g/n/ac	

## AVAILABLE STCS

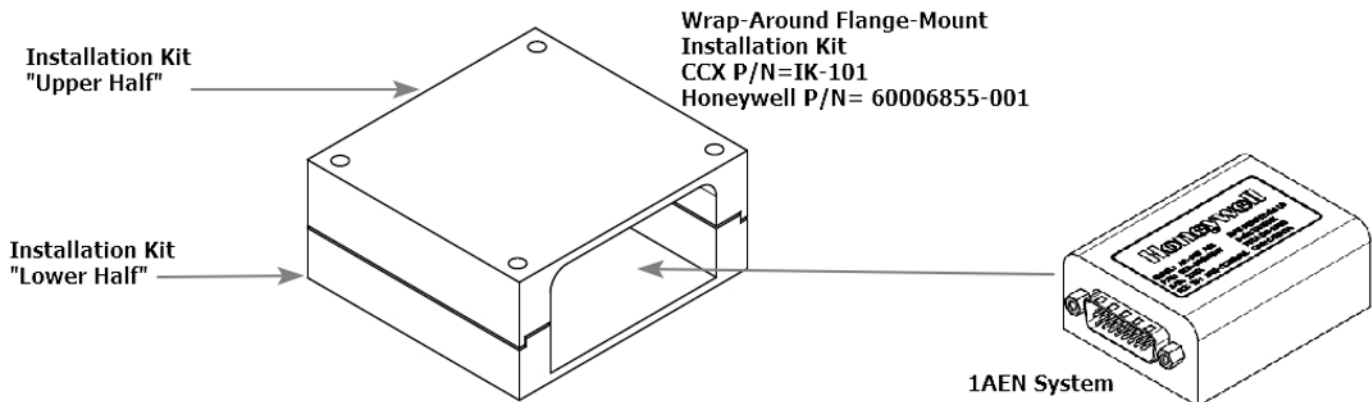
### PLATFORM

E170 / 175 / 190 / 195  
 717-200  
 737-700 / 800 / 900ER  
 B757-200 / 300  
 B767-300 / 300ER / 400ER  
 B777-200 / 200ER / 200LR / 300ER  
 A318 / A319 / A320 / A321  
 A330-200 / 300 / 900  
 CS100  
 B787-8 / 9  
 A350-900

## ADG LITE INSTALL INSTRUCTIONS | 1AEN

A Flange Mount (FM) installation kit is available for the 1AEN under Honeywell P/N = 60006855-001.

This kit is a Transparent, Wrap-Around Plastic Enclosure manufactured of the same material as the 1AEN system (ULTEM PEI - An Aviation Grade, Thermo-Plastic stable up to 374 F-) and provides a mounting enclosure to the 1AEN system so that it can be attached to an Aircraft Structure.



## Honeywell Connected Enterprise

715 Peachtree Street NE  
 Atlanta, Georgia 30308  
[aerospace.honeywell.com](http://aerospace.honeywell.com)

N61-2498-000-000  
 © 2020 Honeywell International Inc.

**THE  
 FUTURE  
 IS  
 WHAT  
 WE  
 MAKE IT**

**Honeywell**